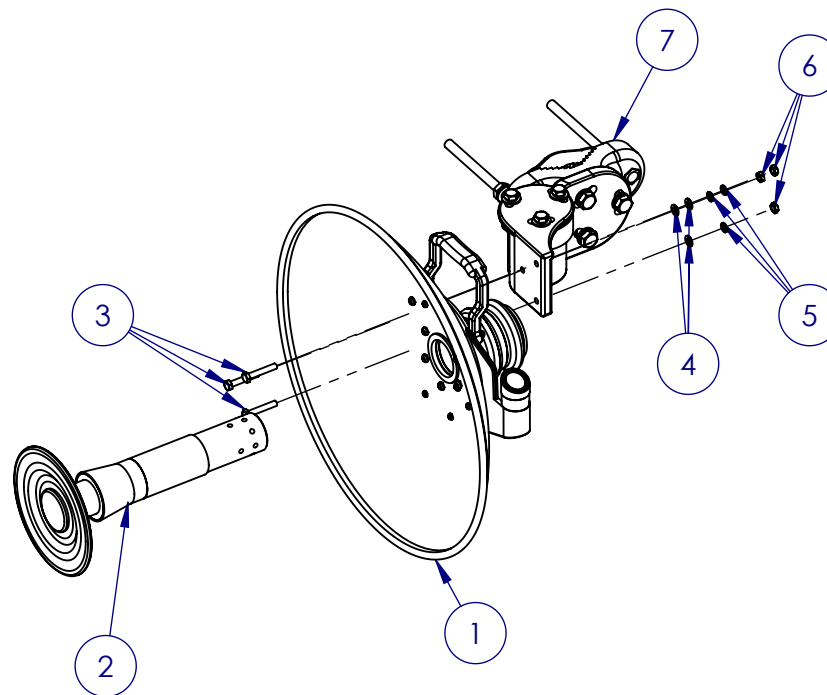


**TOWER BRACKET ASSEMBLY**

NO.	DESCRIPTION	QTY.
1	FINE AZIMUTH BRACKET	1
2	FINE ELEVATION BRACKET	1
3	PIPE BRACKET A	1
4	PIPE BRACKET B	1
5	M10x150 HEX BOLT	2
6	M10 NUT	2
7	M10 LOCK WASHER	2
8	M10 FLAT WASHER	2
9	M8x25 HEX BOLT	3
10	M8 LOCK WASHER	3
11	M8 FLAT WASHER	3
12	M10x40 HEX BOLT	3
13	M10 LOCK WASHER	3
14	M10 FLAT WASHER	3



**TOOLS REQUIRED:** 13MM WRENCH/SOCKET  
17MM WRENCH/SOCKET

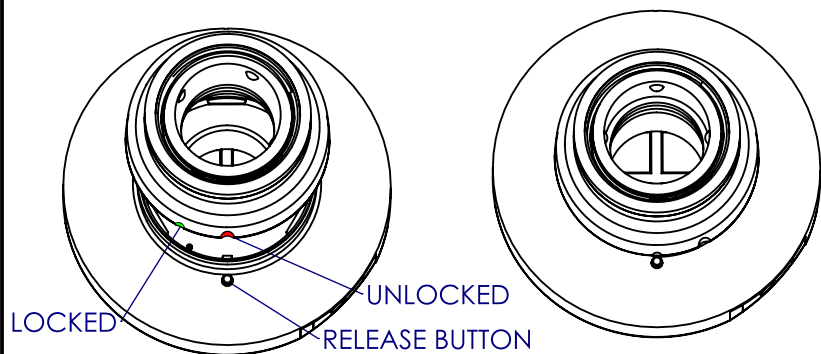
**RECOMMENDED TORQUE SPECIFICATIONS**

⑥ ⑨ ⑫ - 25 Nm

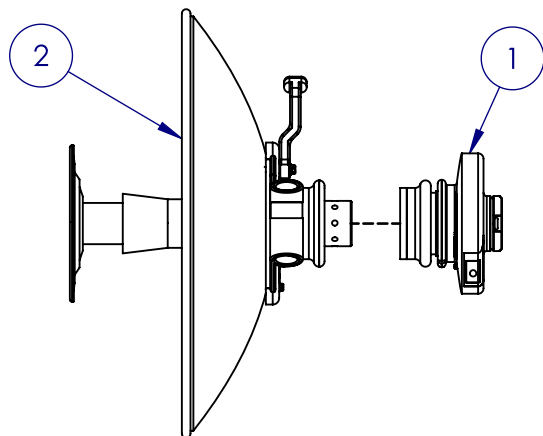
Go to [www.kpperformance.com](http://www.kpperformance.com) for more detailed installation instructions.

NO.	DESCRIPTION	QTY.
1	1' PARABOLIC DISH ASSEMBLY	1
2	FEED ASSEMBLY	1
3	M6X30 PHILLIPS PAN HEAD	3
4	M6 FLAT WASHER	3
5	M6 LOCK WASHER	3
6	M6 NUT	3
7	TOWER BRACKET ASSEMBLY	1

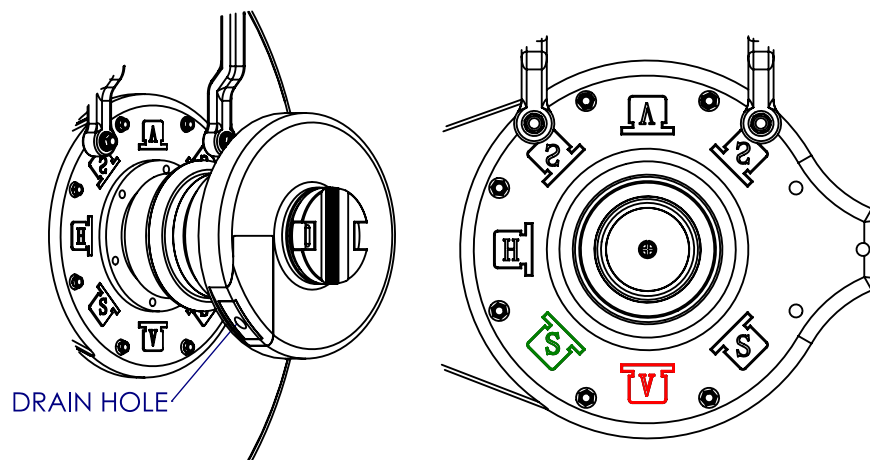
KP-5PDA-UIS5 INSTALL SHEET



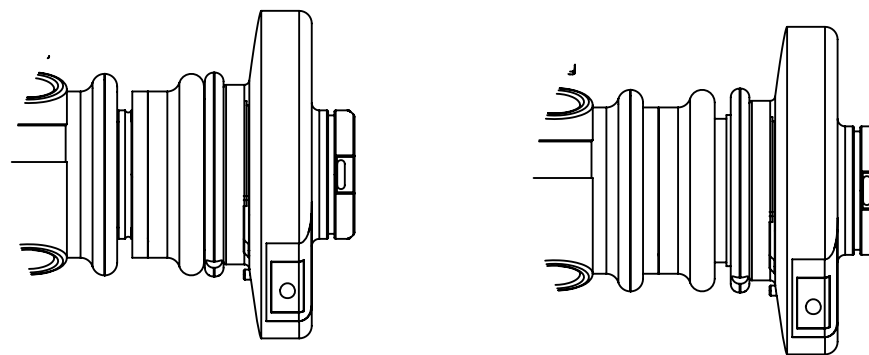
1. Attach Ubiquiti radio to adapter and align larger, UNLOCKED indent with radio's RELEASE BUTTON. Slot in adapter and rotate to smaller, LOCKED indent. To remove radio, press RELEASE BUTTON and rotate adapter to UNLOCKED indent.



2. Align assembled radio adapter with feed assembly's input waveguide.



3. Rotate adapter such that orientation of radio's DRAIN HOLE is directed down. For Horizontal/Vertical polarization, align release button with antenna's bottom V indicator. For +/-45 Slant polarization, align release button with antenna's bottom left S indicator.



4. Pull back collar on Quick-Connect Waveguide Coupler and slide adapter over feed assembly. Release coupler.

NO.	DESCRIPTION	QTY
1	KP-5PDA-UIS5	1
2	KP-5PD-1 / KP-5PD-2	1