

3300-4200 MHz, 1-Foot, 18 dBi, Parabolic Dish Antenna,
Vertical/Horizontal Polarized, 2 x N-Type Female Connectors

KP-35PD1-N-V2



Features

- 1-Foot parabolic antenna
- 3300 MHz to 4200 MHz, 20 dBi gain
- 915mm LMR200 pigtail
- 2 x N-type female connector
- All aluminum dish material
- Dual polarization (V/H)
- VSWR < 2:1
- 100 W max input power per port

Applications

- Long distance backhaul
- Point to point data links (PtP)
- Point to multi-point data links (PtMP)
- Standard C-band and extended C-band
- 5G bands - n77, n78
- MIMO capability
- CBRS and extended CBRS
- 3 GHz WISP and LTE network

Description

The KP Performance KP-35PD1-N-V2 2-port parabolic dish 5G antenna has a frequency range of 3300 – 4200 MHz. This N-Type female connector directional antenna supports the latest C bands and CBRS bands for 5G. This 18 dBi Omni 5G antenna includes a LMR200 cable type.

The KP-35PD1-N-V2 parabolic dish 5G antenna has vertical/horizontal polarization band. The N-type Omni 5G antenna is available in 18-degree horizontal and 15-degree vertical HPBW. This 2-port single band directional antenna is made-up of aluminum alloy radome material, and is DC grounded for lightning protection. The 3300 – 4200 MHz N-Type female connectorized C-band antenna has 50 Ohms impedance and 100 Watts maximum input power.

This KP-35PD1-N-V2 3300 – 4200 MHz gray C-band antenna has a mounting mast diameter ranging from 1.18 to 2.36 inches. This N-type directional antenna can operate at a temperature ranging from -40 to 60 °C. This 18 dBi Omni 5G antenna is suitable for use in the commercial, enterprise, C-Band, CBRS, and 5G bands in the telecom sector.

KP Performance has the largest in-stock selection of parabolic dish 5G antenna with the same-day shipment. Make your online purchase right now to take advantage of our same-day shipping. For further information on similar products, our expert technical support and knowledgeable sales team can help you get the perfect 3300 – 4200 MHz antenna for your requirements.

Configuration

Design	Dish
Band Type	Single
Radiation Pattern	Directional
Polarization	Vertical/Horizontal
Cable Type	LMR200
Cable Length	36.02 in [914.91 mm]
Connector Type	N Female
Interface 2	N Female
Number of Ports	2
Lightning Protection	DC Grounded

Electrical Specifications

Description	Minimum	Typical	Maximum	Units
Frequency Range	3,300		4,200	MHz

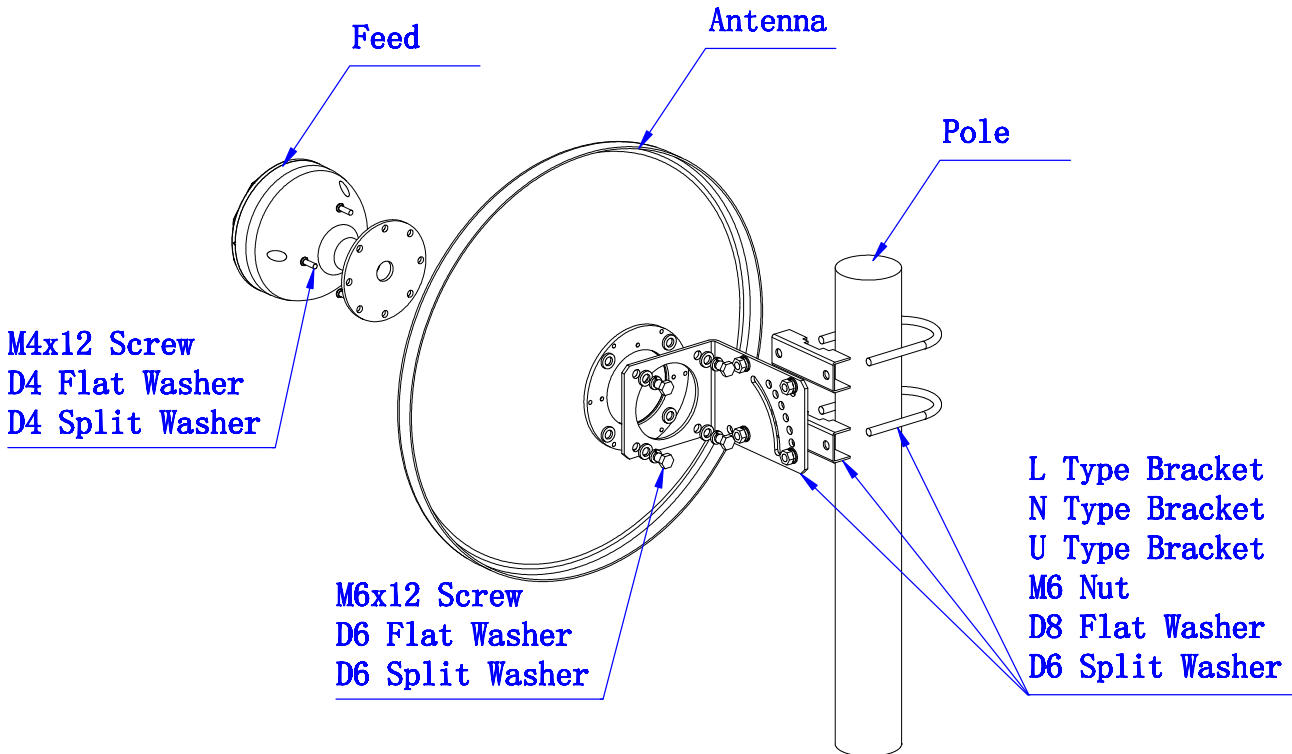
Click the following link (or enter part number in "SEARCH" on website) to obtain additional part information including price, inventory and certifications:
[3300-4200 MHz, 1-Foot, 18 dBi, Parabolic Dish Antenna, Vertical/Horizontal Polarized, 2 x N-Type Female Connectors KP-35PD1-N-V2](#)

3300-4200 MHz, 1-Foot, 18 dBi, Parabolic Dish Antenna,
 Vertical/Horizontal Polarized, 2 x N-Type Female Connectors

KP-35PD1-N-V2



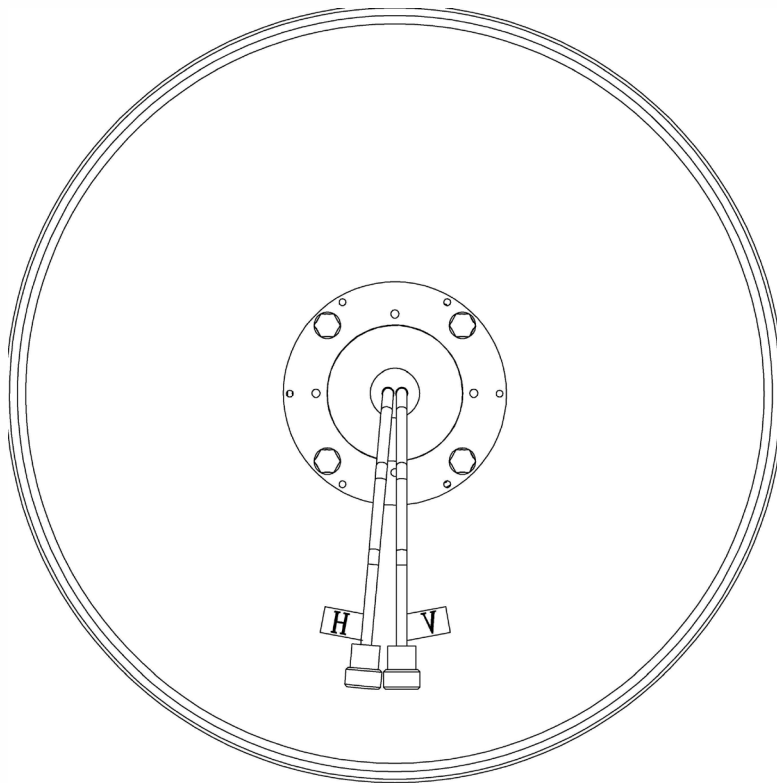
Input VSWR		2:1
Impedance	50	Ohms
Gain	18	dBi
Front to Back Ratio	30	dB
Port to Port Isolation	30	dB
Horizontal (Azimuth) HPBW	18	Degrees
Vertical (Elevation) HPBW	15	Degrees
Input Power		100 Watts



Click the following link (or enter part number in "SEARCH" on website) to obtain additional part information including price, inventory and certifications:
[3300-4200 MHz, 1-Foot, 18 dBi, Parabolic Dish Antenna, Vertical/Horizontal Polarized, 2 x N-Type Female Connectors KP-35PD1-N-V2](#)

3300-4200 MHz, 1-Foot, 18 dBi, Parabolic Dish Antenna,
 Vertical/Horizontal Polarized, 2 x N-Type Female Connectors

KP-35PD1-N-V2



Mechanical Specifications

Radome Material	Aluminium alloy
Size	
Length	13.39 in [340.11 mm]
Width	13.39 in [340.11 mm]
Height	6 in [152.4 mm]
Mounting Mast Diameter	1.18 to 2.36 in [29.97 to 59.94 mm]
Weight	3.30693 lbs [1.5 kg]

Click the following link (or enter part number in "SEARCH" on website) to obtain additional part information including price, inventory and certifications:
[3300-4200 MHz, 1-Foot, 18 dBi, Parabolic Dish Antenna, Vertical/Horizontal Polarized, 2 x N-Type Female Connectors KP-35PD1-N-V2](#)

3300-4200 MHz, 1-Foot, 18 dBi, Parabolic Dish Antenna,
Vertical/Horizontal Polarized, 2 x N-Type Female Connectors

KP-35PD1-N-V2



Environmental Specifications

Temperature

Operating Range

-40 to +60 deg C

Wind Survivability

134 MPH [215.65 KPH]

Wind Loading

Plotted and Other Data

Notes:

Appendix

Electrical Downtilt: Angle in the antenna's elevation pattern in which the maximum gain occurs.

Gain: Antenna's average gain.

Front to Back Ratio @ 180°±30°: Average difference between the antenna's maximum gain and the maximum gain in the antenna's back lobe over ±30° angles.

Cross-polarization Ratio (dB): Typical difference between the co-polarization and cross-polarization gain across the sector's 3 dB Beam Width.

Dedicated to serving the needs of the Wireless Internet Service Provider (WISP) market, KP Performance Antennas offers purpose built products that reliably perform in the field. KP Performance Antennas product line consists of Yagi, Grid, Omni, Dish and other style antennas that operate in the 900 MHz, 2.4 GHz, 3 GHz, and 5 GHz frequencies.

Click the following link (or enter part number in "SEARCH" on website) to obtain additional part information including price, inventory and certifications: [3300-4200 MHz, 1-Foot, 18 dBi, Parabolic Dish Antenna, Vertical/Horizontal Polarized, 2 x N-Type Female Connectors KP-35PD1-N-V2](https://www.kpperformance.com/3300-4200-mhz-1-foot-18-dbi-parabolic-dish-antenna-vertical-horizontal-polarized-2-x-n-type-female-connectors-kp-35pd1-n-v2-p.aspx)

URL: <https://www.kpperformance.com/3300-4200-mhz-1-foot-18-dbi-parabolic-dish-antenna-vertical-horizontal-polarized-2-x-n-type-female-connectors-kp-35pd1-n-v2-p.aspx>

The information contained within this document is accurate to the best of our knowledge and representative of the part described herein. It may be necessary to make modifications to the part and/or the documentation of the part in order to implement improvements. KP Performance reserves the right to make such changes as required. Unless otherwise stated, all specifications are nominal. KP Performance does not make any representation or warranty regarding the suitability of the part described herein for any particular purpose, and KP Performance does not assume liability arising out of the use of any part or document.

3300-4200 MHz, 1-Foot, 18 dBi, Parabolic Dish Antenna, Vertical/
Horizontal Polarized, 2 x N-Type Female Connectors

KP-35PD1-N-V2 CAD Drawing

